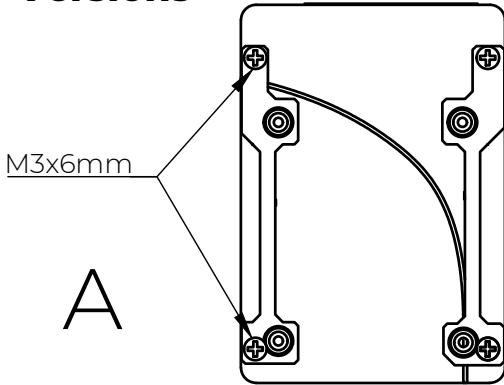


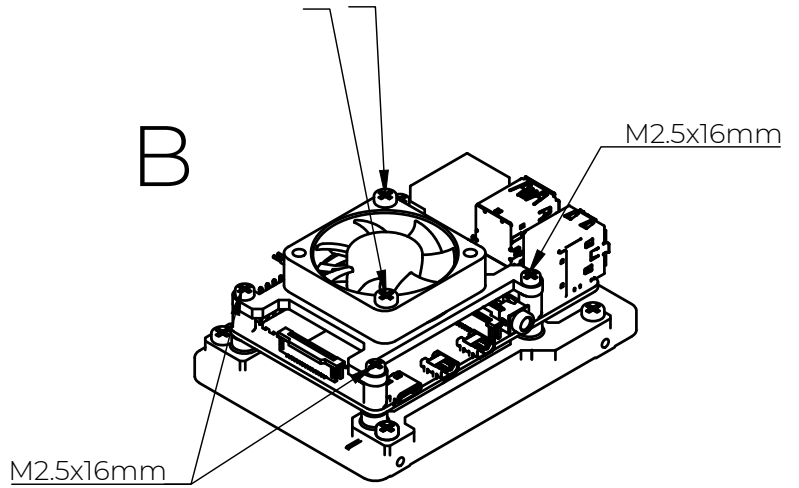
# The TerraPi Alpha Assembly Instructions

## SINGE SSD & DUAL SSD Versions



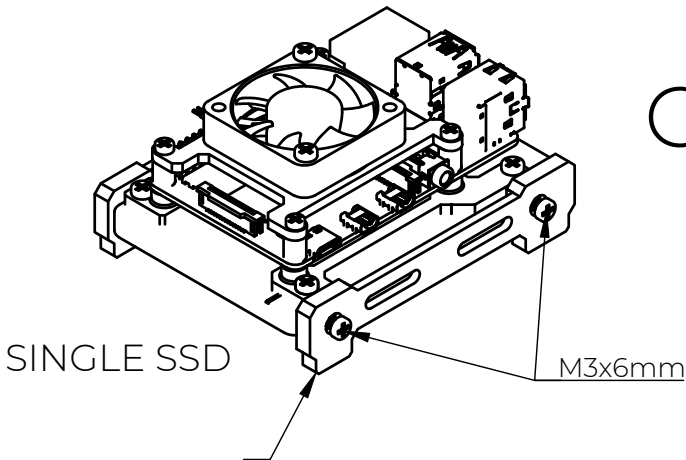
Place the SSD flat on a surface. Place the SSD mounting clips over the holes on the drive and using the M3x6mm screws, secure them.

If you will use the fan hat, mount the fan on it using M3x16mm screws FIRST!

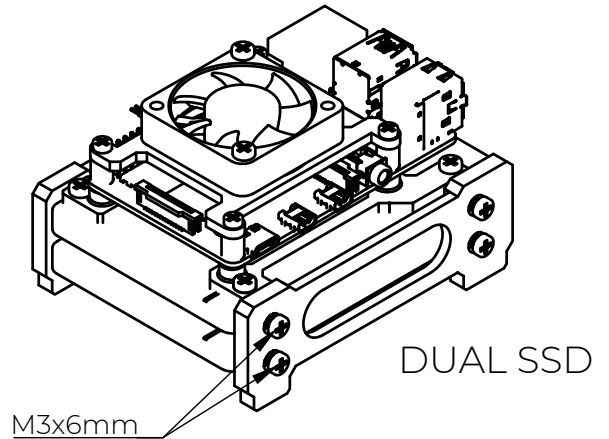


Place the Pi over the mounting holes and align it. Then place the fan hat over them and using the M2.5x16mm screws, secure it. DO NOT OVERTIGHTEN!

If you will not be using the fan hat, then use the M2.5x6mm screws to secure the Pi on the SSD mounting clips



Place the SSD "feet" over the mounting holes and secure them using the M3x6mm screws. Repeat for both sides.



For the Dual SSD version, please mount the SSD "feet" on the TOP SSD drive first and then insert the BOTTOM SSD and secure it as shown, using the M3x6mm screws.

Dept. <b>TECH</b>	Technical reference <b>Assembly</b>	Created by <b>LL</b>	12/17/2020		Approved by <b>LL</b>	17/12/2020	
<b>INUX3D</b>		Document type <b>INSTRUCTIONS</b>			Document status <b>FINAL</b>		
		Title <b>TerraPi Alpha v3 M2.5 v5</b>			DWG No. <b>3</b>		
		Rev. <b>5</b>	Date of issue <b>17/12/2020</b>		Sheet <b>1/1</b>		