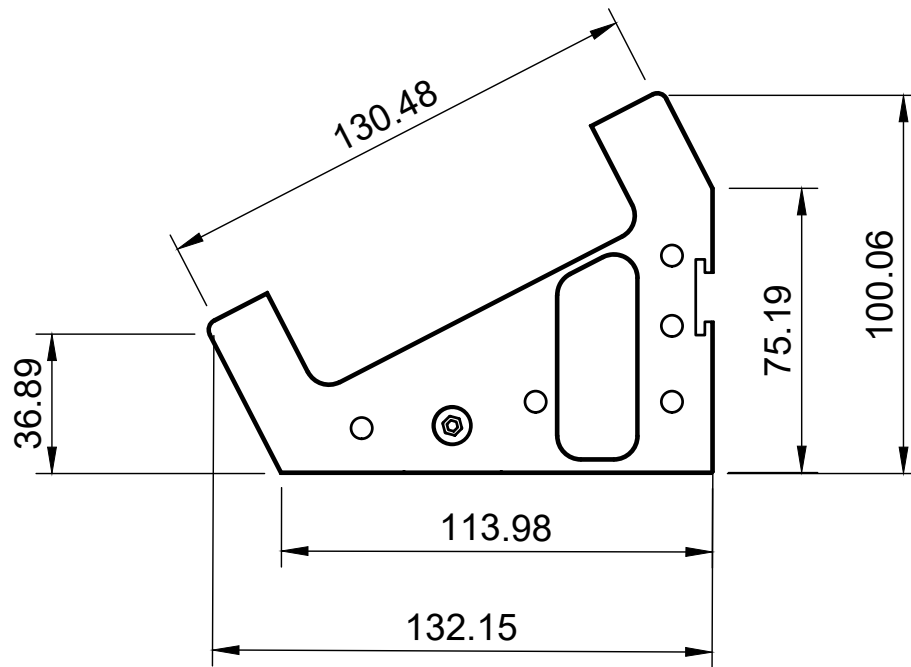



Units in mm
Scale 1:2



Dept. DESIGN	Technical reference PK1YBP	Created by LL	10/30/2021	Approved by LL	30/10/2021
		Document type Dimensions		Document status FINAL	
		Title PK1 YBP Stand Dimensions		DWG No. 30	
		Rev. 1	Date of issue 30/10//2021	Sheet 1/1	