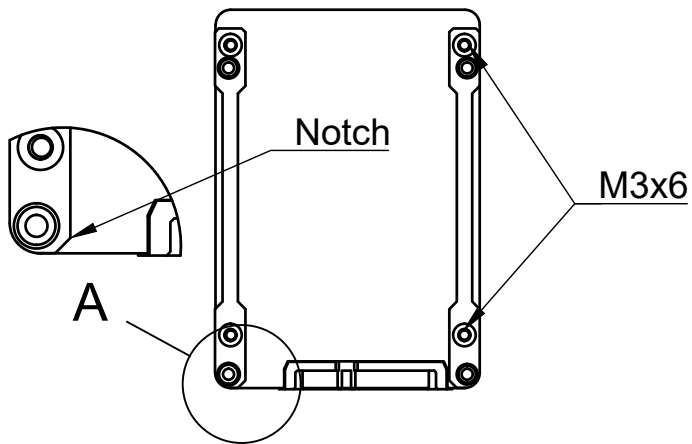


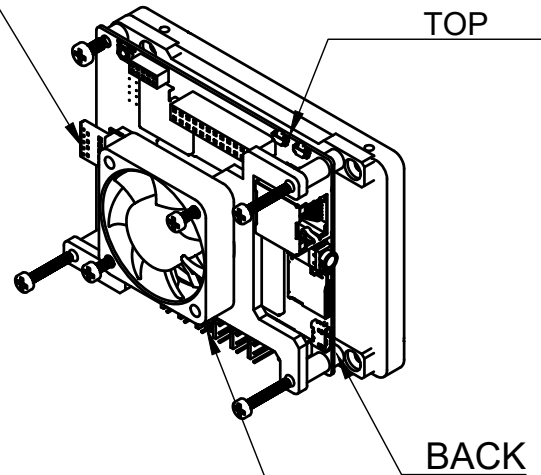
A (1:1)



Place the SSD flat on a surface
Then place the SSD mounting
clips by aligning the mounting
holes and use the M3x6mm
screws to secure them.

USB Ports
FRONT

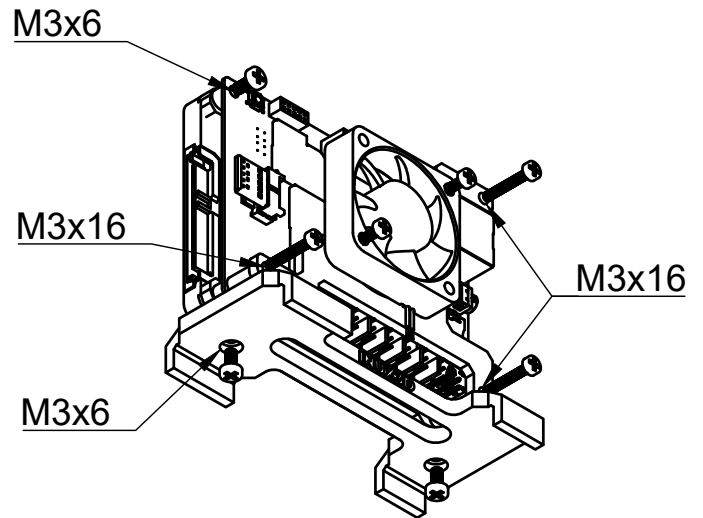
Power Buttons
TOP



Secure the fan on the hat
BEFORE mounting it
on the board

Mount the fan hat using the 3
M3x16 bolts

Secure the SSD on the base with 2
M3x6 bolts.



Dept. TECH	Technical reference Instructions	Created by LL	1/26/2021		Approved by LL	LL
INUX3D		Document type Drawing	Document status FINAL			
		Title TerraPi LattePanda SSD Mount	DWG No. 17			
		Rev. A	Date of issue 26/01/2021	Sheet 1/1		