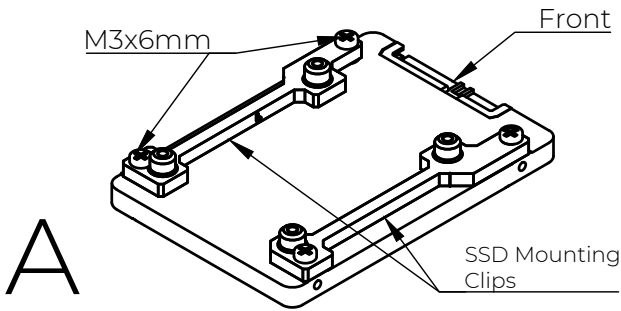
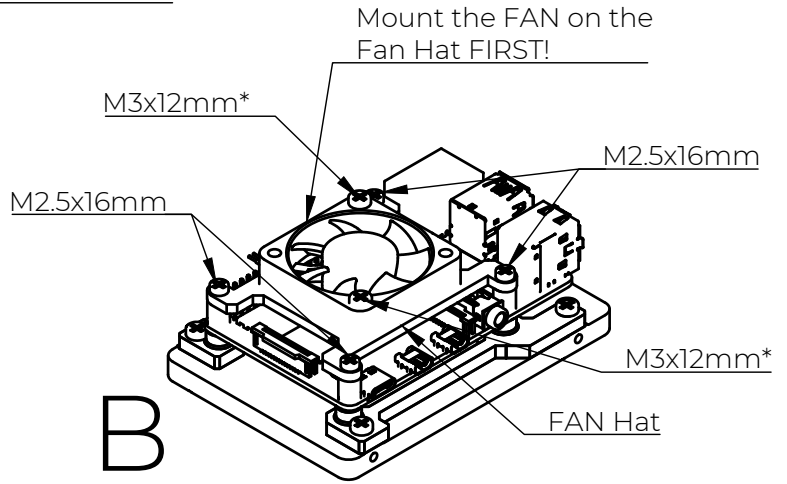
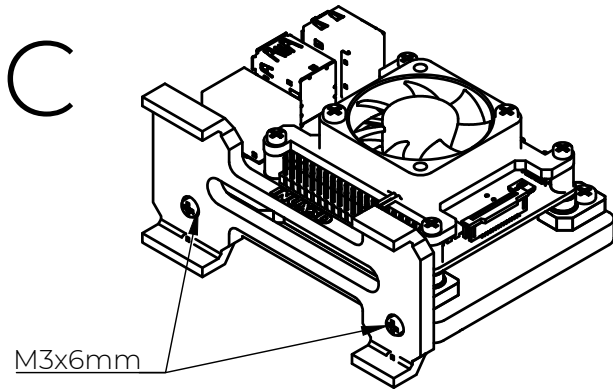


The TerraPi[®] Assembly guide



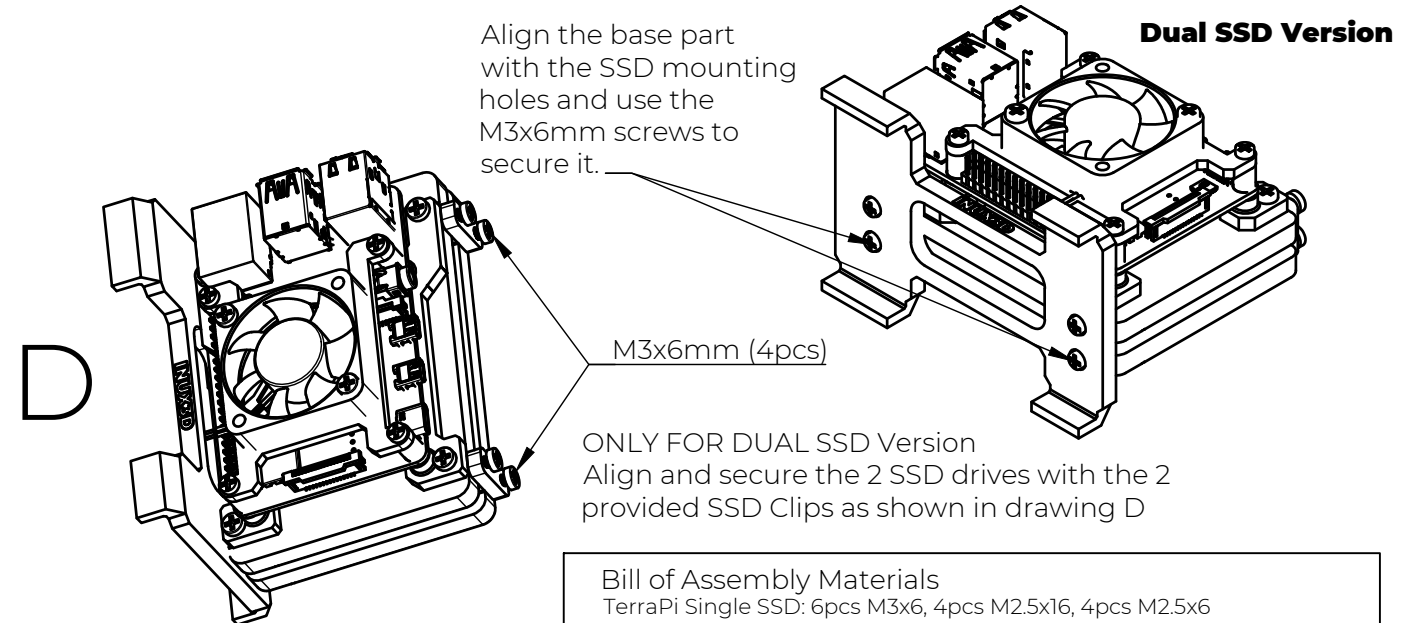
Place the drive on a flat surface and mount the SSD clips as shown above. Use M3x6mm screws to secure the SSD mounting clips. Please pay attention to the orientation.



After mounting the fan, place the Pi and align it over the mounting holes. Then, place the fan hat and align it as well. Use the M2.5x16mm screws to secure it.

PLEASE DO NOT OVERTIGHTEN
The M2.5x16mm screws are self tapping

If you do not plan to use a fan, then instead of placing the fan hat, secure the board on the SSD mounting clips by the 4x M2.5x6mm screws supplied in a separate bag.



ONLY FOR DUAL SSD Version
Align and secure the 2 SSD drives with the 2 provided SSD Clips as shown in drawing D

Bill of Assembly Materials
TerraPi Single SSD: 6pcs M3x6, 4pcs M2.5x16, 4pcs M2.5x6
TerraPi Dual SSD: 12pcs M3x6, 4pcs M2.5x16, 4pcs M2.5x6
* M3x12 is only for the INUX3D Fan (also for TerraPi SE)
Colors: RED, BLACK, BLUE, For SE Orange/Black

Dept. TECH	Technical reference M2.5	Created by LL	12/13/2020		Approved by LL	12/12/2020	
		Document type Assembly	Document status FINAL				
		Title TerraPi v5 M2.5 version	DWG No. 4				
		Rev. B	Date of issue 20201213	Sheet 1/3			