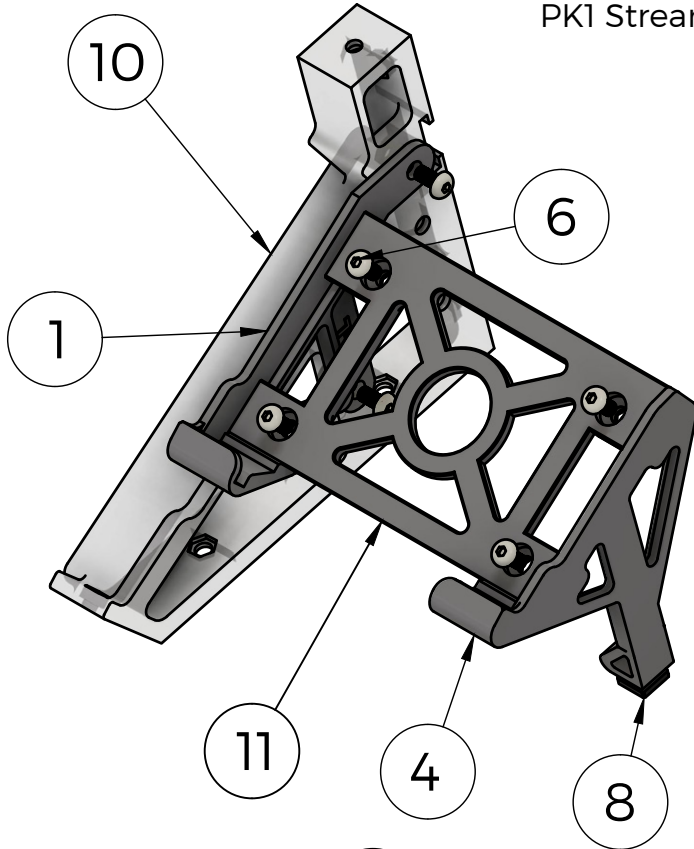


PK1 StreamDeck 15 Add-on for the PK1 Extreme Stand RIGHT Hand Mounted



Attach the LEFT side panel (Part 1) to the left of the baseplate (Part 11) using 2 x M4x8 bolts (Part 6) and 2 x M4 nuts (Part 7)

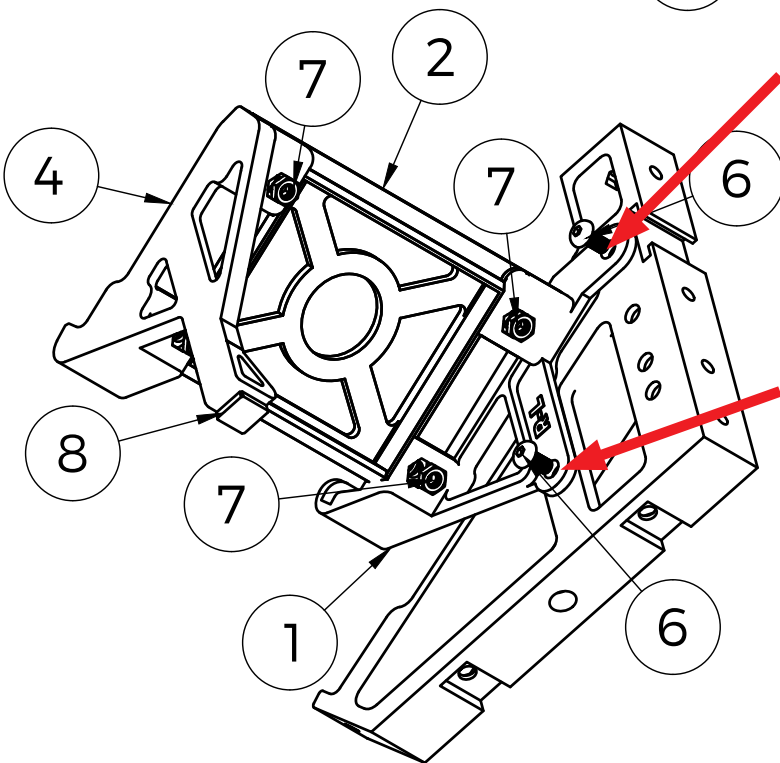
Attach the RIGHT side panel (Part 4) to the right of the baseplate (Part 11) using 2 x M4x8 bolts (Part 6) and 2 x M4 nuts (Part 7)

Once all 4 bolts are in place, tighten evenly to stiffen up the structure.

Do not over tighten

Affix the rubber foot (Part 8) under the foot of the RIGHT side plate (Part 4)

These instructions are specifically for a RIGHT Hand Mounted StreamDeck. For a LEFT Hand Mounted StreamDeck, replace LEFT with RIGHT and RIGHT with LEFT



Position the StreamDeck Stand so that its TOP hole lines up with the TOP hole of the PK1 Stand side and push an M4 bolt (Part 6) through. This next bit is quite fiddly, but using your index finger (or tweezers), thread an M4 nut (Part 7) onto the M4 bolt protruding through the PK1 Stand side and tighten the bolt

Rotate the SteamDeck Stand so its LOWER hole aligns with that of the hole in the middle pillar of the PK1 Stand side and insert an M4x8 bolt. Using your thumb and forefinger, hold an M4 nut (Part 7) and the StreamDeck Stand together so you can tighten the bolt onto the nut

Do not worry if the M4 nut spins in the recesses on the inside of the PK1 Stand. This prevents over tightening.

Parts of this product were produced with an additive manufacturing process. Minor surface imperfections do not affect the overall product functionality.

Parts List		
Item	Qty	Part Number
1	1	StreamDeck 15 Stand Left Side
4	1	StreamDeck 15 Stand Right Side
6	6	M4x8
7	6	M4 Nut
8	1	10x10 Rubber Foot
10	1	Extreme Stand Right Side
11	1	StreamDeck 15 Top v1

INUX3DTM
design studio

<https://shop.inux3d.com>
sales@inux3d.com

Biodegradable according
to DIN EN ISO 14855

MADE IN EU