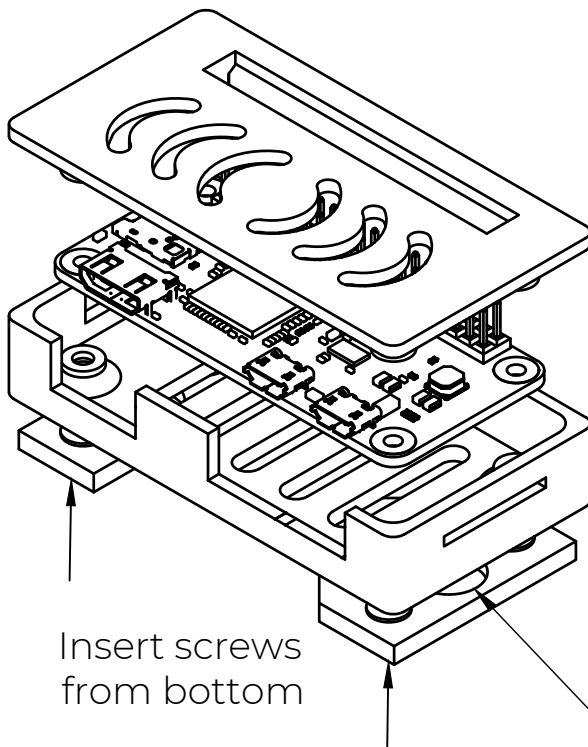
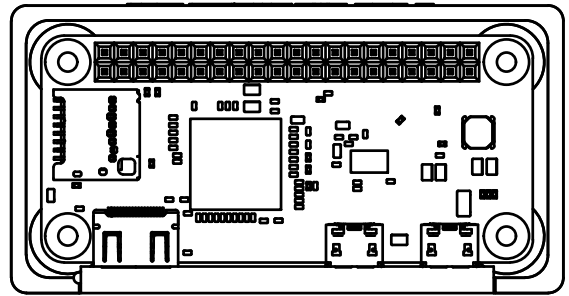
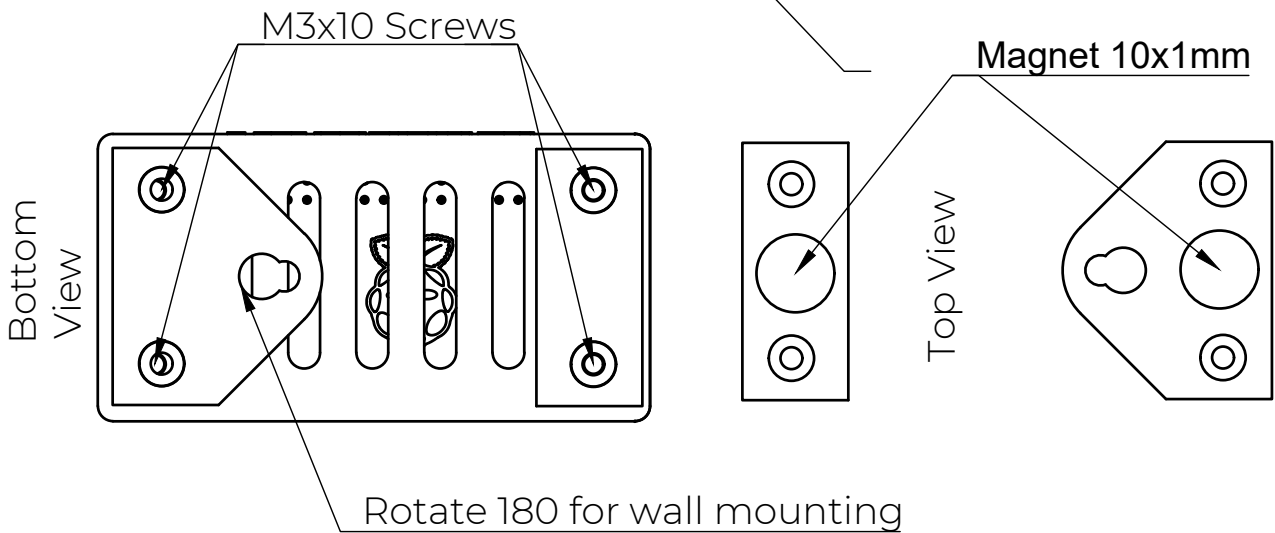


# Zero Pi Case

First place the Pi inside the base and align the mounting holes



Then place the top part and flip it to expose the bottom. Place the bottom clips in the desired orientation for desktop or wall mount and insert the mounting screws.



Dept. <b>Tech</b>	Technical reference <b>Drawing</b>	Created by <b>LL</b>	9/2/2020		Approved by
		Document type <b>Assembly &amp; Mounting</b>	Document status <b>FINAL</b>		
		Title <b>Pi Zero Drawing &amp; Assembly</b>	DWG No. <b>v3</b>		
		Rev. <b>v16</b>	Date of issue <b>2/Sept/2020</b>	Sheet <b>1/1</b>	