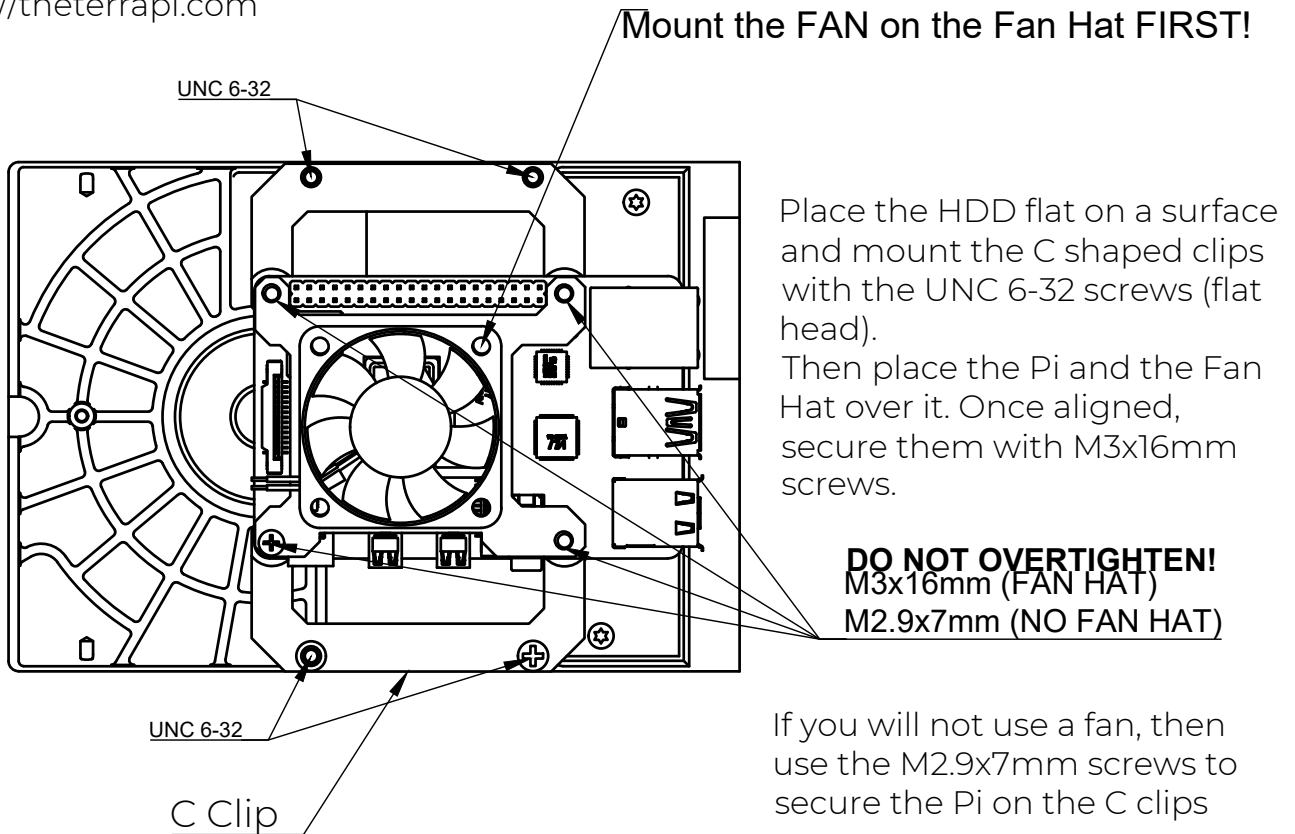
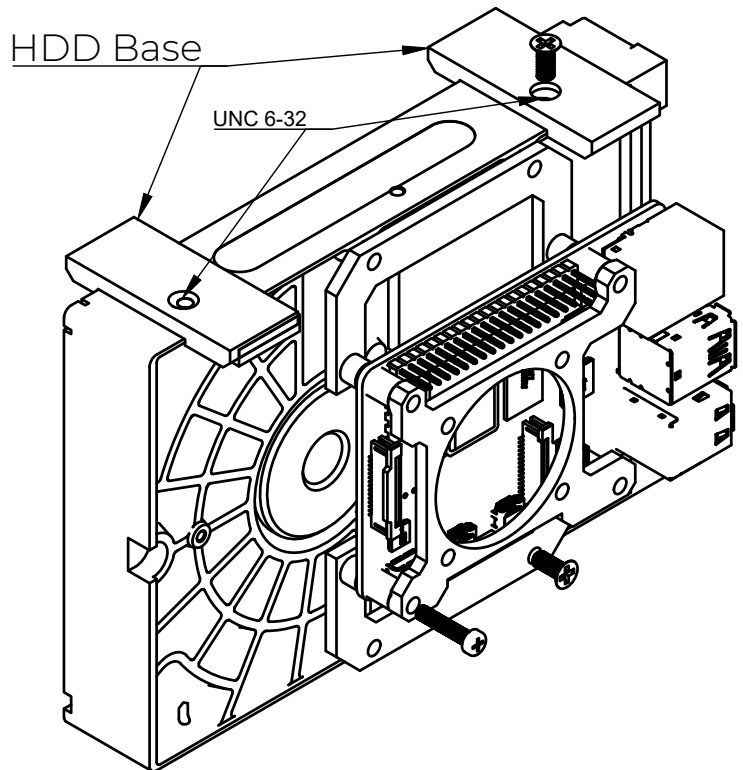


TerraPi XL


<https://theterrapi.com>



Secure the HDD Base (2x) with the UNC 6-32 Flat head screws



- Package Contents
- 4x M3x16mm Screws (Fan Hat)
 - 6x UNC 6-32 philips screws
 - 4x M2,9x6mm philips screws (no fan hat)
 - 2x C shape clips
 - 2x Base mounts
 - 1x Fan hat

Dept. Tech	Technical reference Drawing	Created by LL	11/16/2020	Approved by LL	16/11/2020
		Document type Instructions	Document status FINAL		
		Title TerraPi XL Assembly Instructions	DWG No. 25		
		Rev. A	Date of issue 16/11/2020	Sheet 1/1	