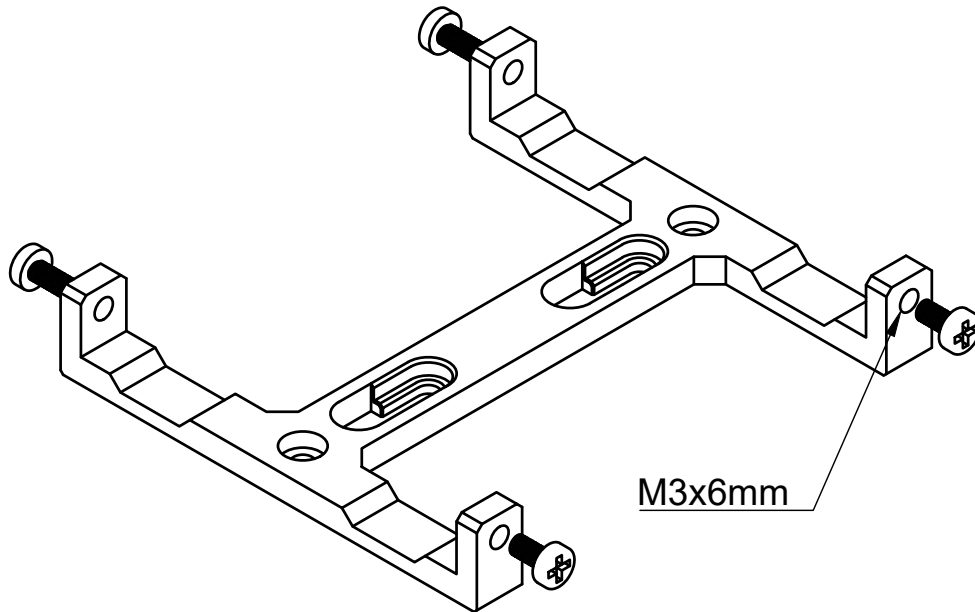
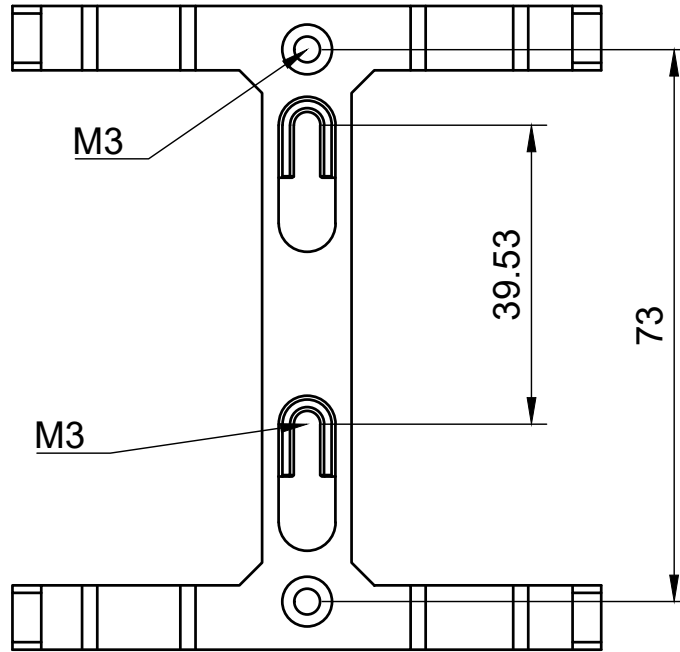


Dimensions for Drill holes



Dept. TECH	Technical reference TP	Created by Llertas Llertas 1/20/2021	Approved by LL	
INUX3D		Document type Drawing	Document status FINAL	
		Title TerraPi WallMount Adapter	DWG No. 1	
		Rev. 1	Date of issue 20/01/2021	Sheet 1/1