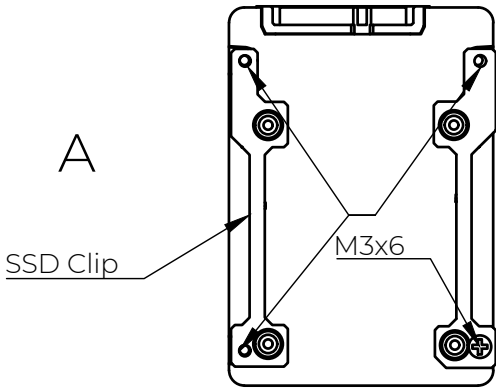
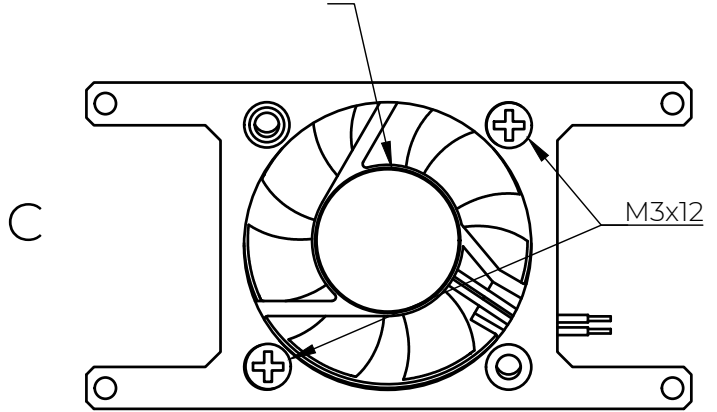


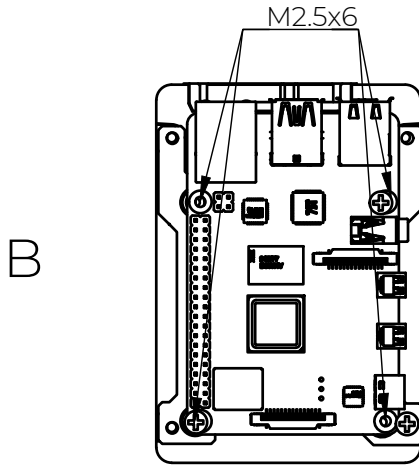
Place the drive on a flat surface and mount the SSD clips as shown.
 Use M3x6mm screws to secure the SSD mounting clips.
 Please pay attention to the orientation



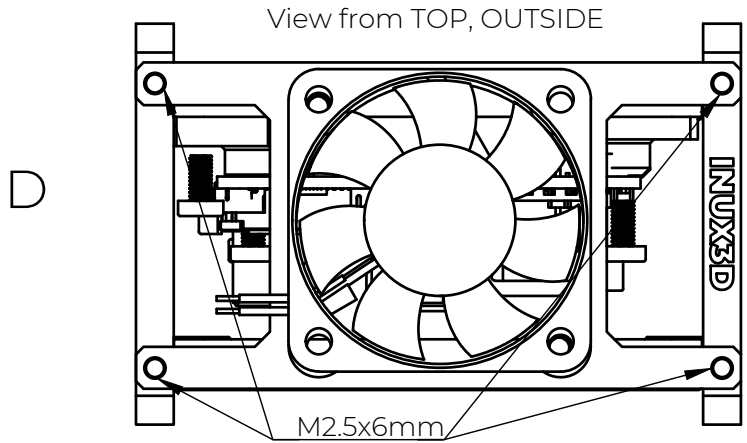
Mount the fan on the fan hat, with the bolts placed as below (philips head on the inside). Fan static side on the inside



View from TOP, INSIDE



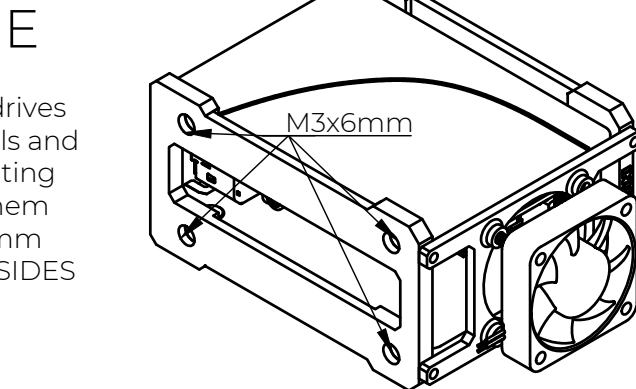
Align the Pi over the SSD clips mounting holes and secure it using the M2.5x6mm bolts



View from TOP, OUTSIDE

Use the M2.5x6mm bolts as shown to secure the fan hat on the two side panels.

Place the SSD drives inside the panels and align the mounting holes. Secure them with the M3x6mm bolts on BOTH SIDES



It is best if you mount the bottom drive that holds the Pi board first. Place the fan cables in the GPIO pins, affix the heatsinks and then mount the second drive on the top

Dept. TECH	Technical reference Assembly	Created by LL	2/10/2021		Approved by LL	10FEB 2021	
INUX3D		Document type			Document status FINAL		
		Title TerraPi EVO Dual SSD Case For Raspberry Pi			DWG No. 1		
		Rev. 0	Date of issue 10 FEB 2021		Sheet 1/1		