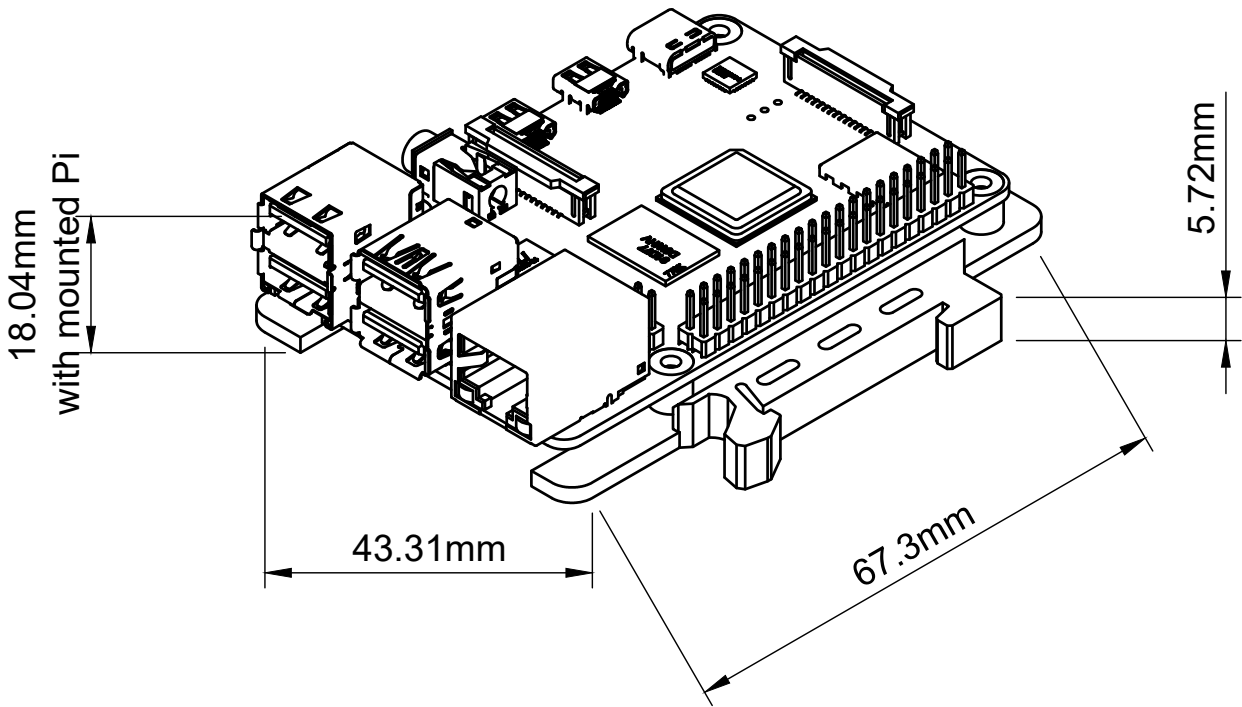
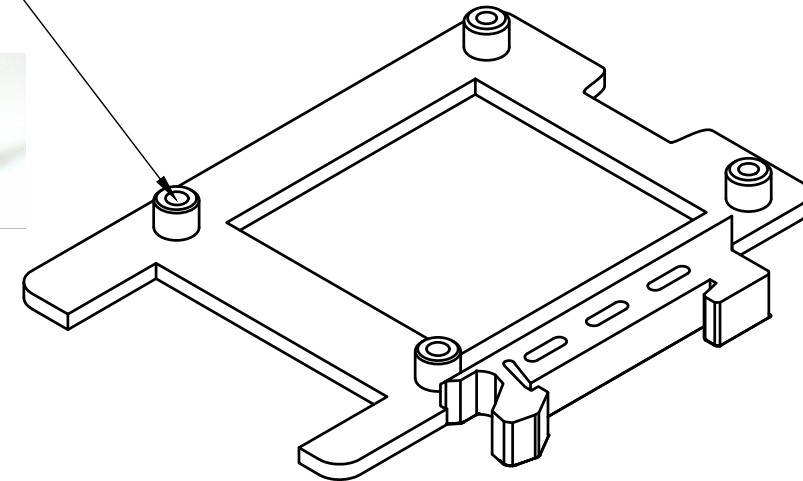



DIN Mount Plate for Raspberry Pi (all models)



Screw M3x6mm x4pcs



Packaging Contents: 1x DIN Mount plate | 4x M3x6mm screws

Dept. TECH	Technical reference RPI34DIN	Created by INUX3D	8/19/2020		Approved by LL	19 Aug 2020	
		Document type Data Sheet & Instructions			Document status FINAL		
		Title RPI3-4 DIN v2 Mount Plate RPI all models			DWG No. 1		
		Rev. 9	Date of issue 19 AUG 2020		Sheet 1/1		