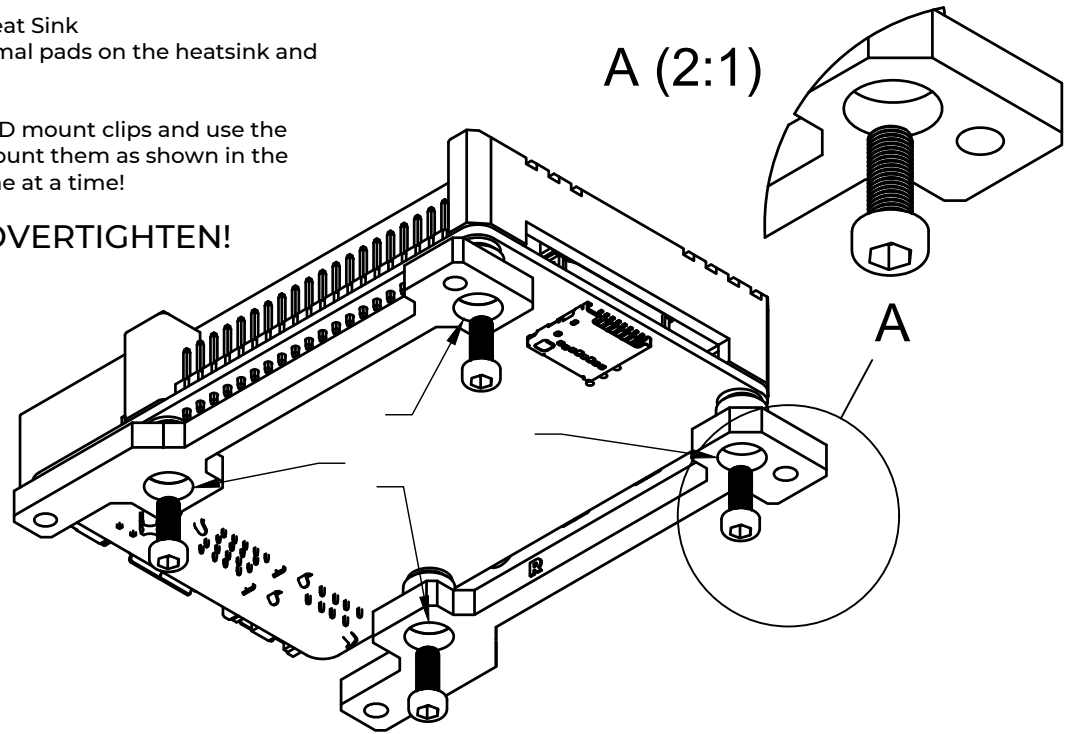


# TerraPi Q Assembly

1. Install the Heat Sink  
Place the thermal pads on the heatsink and attach the Pi.

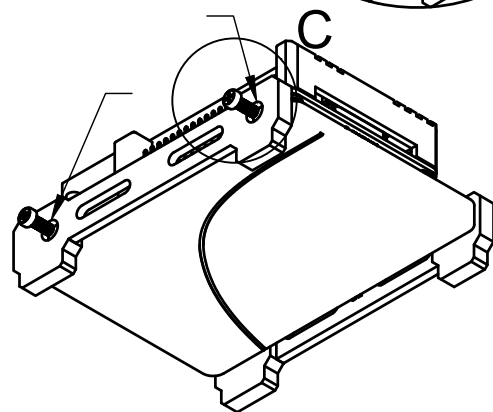
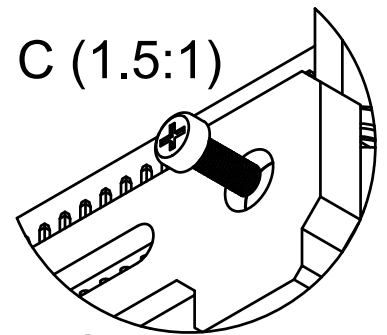
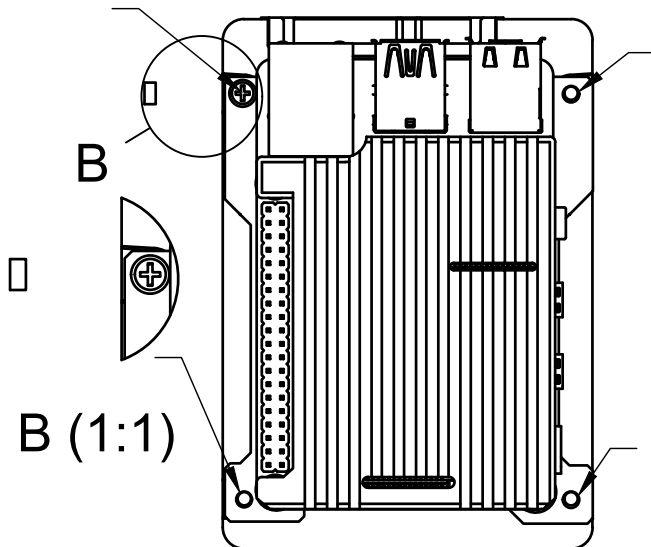
2. Place the SSD mount clips and use the allen key to mount them as shown in the figure A. Do one at a time!

**DO NOT OVERTIGHTEN!**




3. Place the SSD flat on a table.

Mount the SSD clips on the SSD as shown below in Fig. B with M3x6mm screws



4. Mount the SSD legs with the M3x4mm screws as shown below in Fig. C

Dept. <b>TECH</b>	Technical reference <b>TPIA-Q</b>	Created by <b>LL</b>	<b>10/25/2020</b>	Approved by <b>LL</b>	<b>25 OCT 2020</b>
		Document type <b>Instructions</b>	Document status <b>FINAL</b>		
		Title <b>TerraPi Q Heat sink Assembly and SSD mount</b>	DWG No. <b>1</b>		
		Rev. <b>3</b>	Date of issue <b>20 OCT 2020</b>	Sheet <b>1/1</b>	